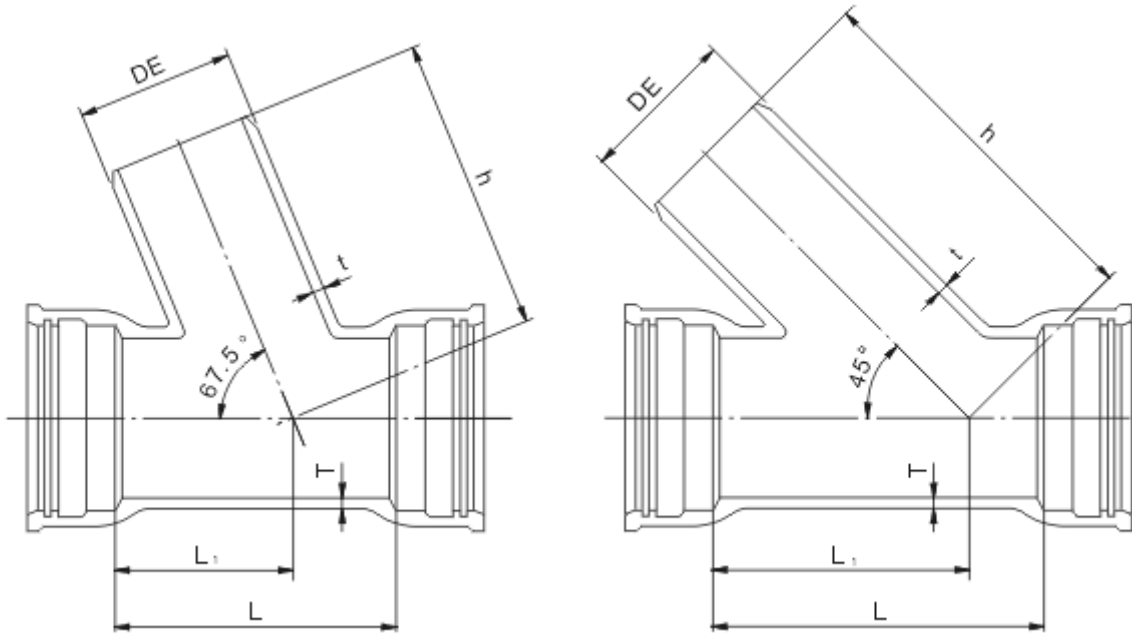




Spigot Angle Branch on Double Socket



Unit : mm

67.5°									45°								
DN		Thickness		Dimensions				Weight (kg)	DN		Thickness		Dimensions				Weight (kg)
D	d	T	t	DE	L	L ₁	h		D	d	T	t	DE	L	L ₁	h	
150	100	7.8	7.2	118.0	356	213	315	28.9	150	100	7.8	7.2	118.0	515	445	532	36.6
	150	7.8	7.8	169.0	413	241	329	33.5		150	7.8	7.8	169.0	585	480	568	44.3
200	100	8.4	7.2	118.0	356	223	341	40.6	200	100	8.4	7.2	118.0	534	490	577	50.8
	150	8.4	7.8	169.0	413	252	357	45.5		150	8.4	7.8	169.0	605	525	613	58.9
200	200	8.4	8.4	220.0	484	287	392	53.1	200	200	8.4	8.4	220.0	676	560	665	70.1
	250	9.0	7.8	169.0	413	262	387	57.6		250	150	9.0	7.8	169.0	624	570	658
250	200	9.0	8.4	220.0	484	298	420	65.5	250	200	9.0	8.4	220.0	695	605	710	85.8
	250	9.0	9.0	271.6	549	331	445	74.7		250	9.0	9.0	271.6	767	640	754	100.2
	300	150	9.6	7.8	118.0	451	293	412		68.6	300	150	9.6	7.8	118.0	653	605
300	200	9.6	8.4	220.0	523	328	448	79.0	300	200	9.6	8.4	220.0	725	640	745	101.2
	250	9.6	9.0	271.6	588	361	473	88.5		250	9.6	9.0	271.6	801	680	794	116.2
350	200	10.2	8.4	220.0	533	344	476	101.7	350	200	10.2	8.4	220.0	744	680	785	127.5
	250	10.2	9.0	271.6	599	377	500	111.8		250	10.2	9.0	271.6	815	715	829	142.3
400	200	10.8	8.4	220.0	533	354	504	116.7	400	200	10.8	8.4	220.0	763	725	830	148.0
	250	10.8	9.0	271.6	599	387	528	127.6		250	10.8	9.0	271.6	830	755	869	162.9
450	200	11.4	8.4	220.0	543	370	531	137.6	450	200	11.4	8.4	220.0	788	770	875	175.0
	250	11.4	9.0	271.6	608	403	556	149.4		250	11.4	9.0	271.6	859	805	919	191.4
500	200	12.0	8.4	220.0	543	381	559	158.1	500	200	12.0	8.4	220.0	802	810	915	202.1
	250	12.0	9.0	271.6	608	414	584	170.9		250	12.0	9.0	271.6	865	835	949	217.9